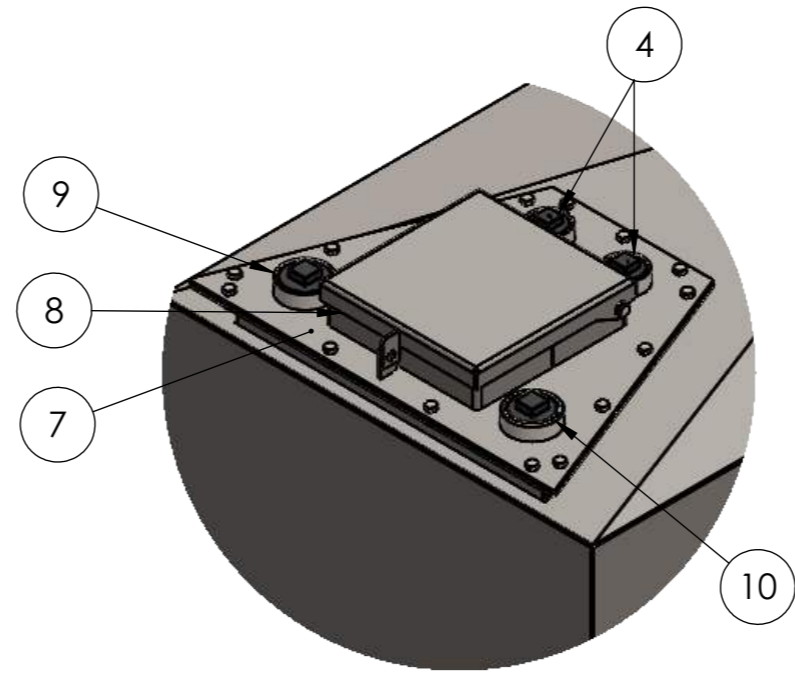
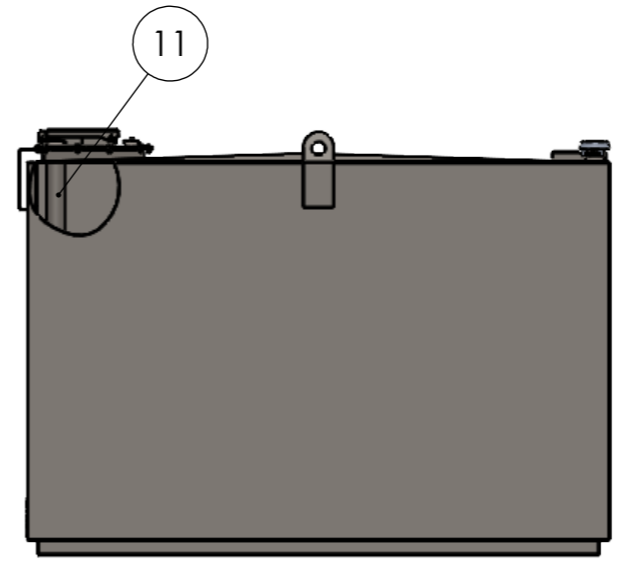
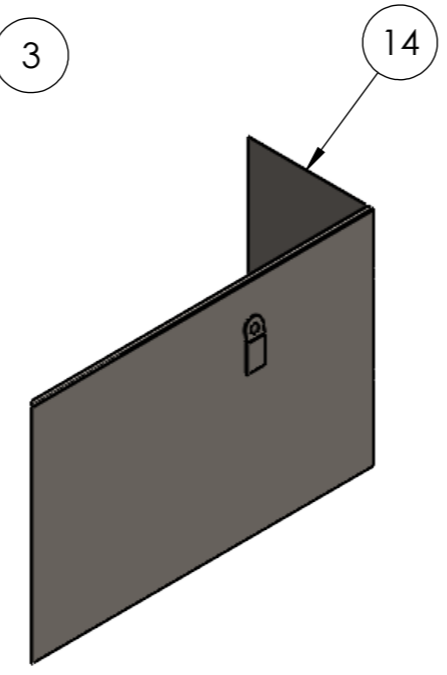
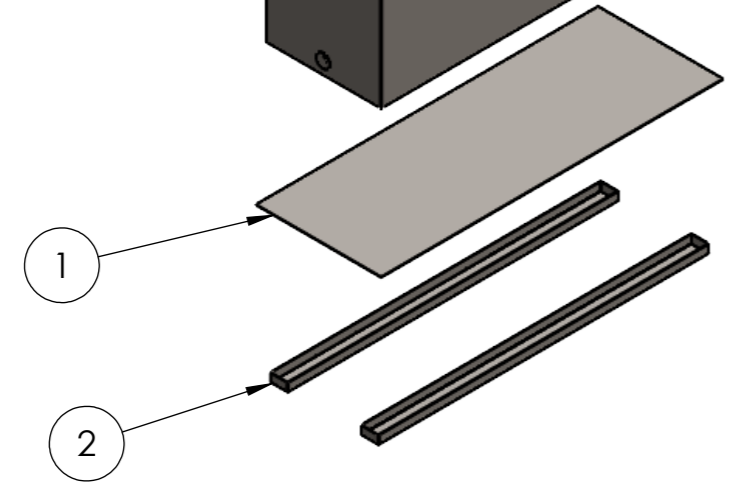
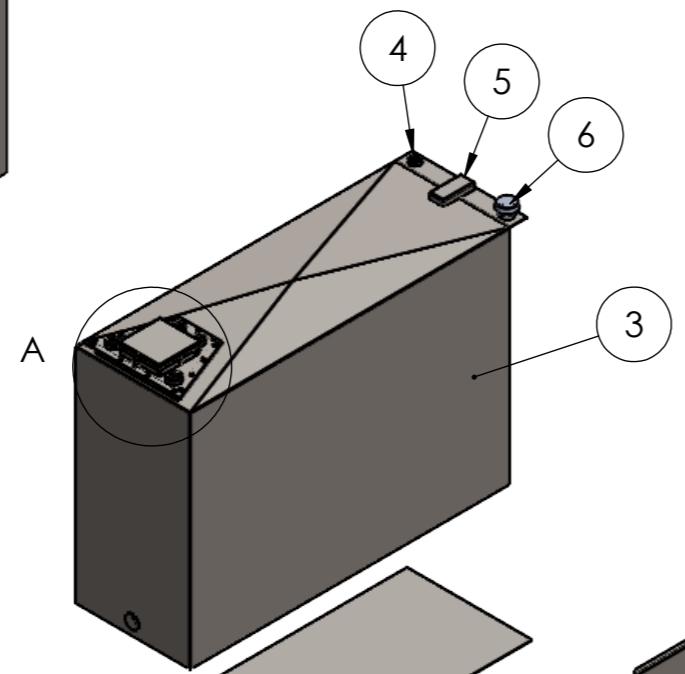
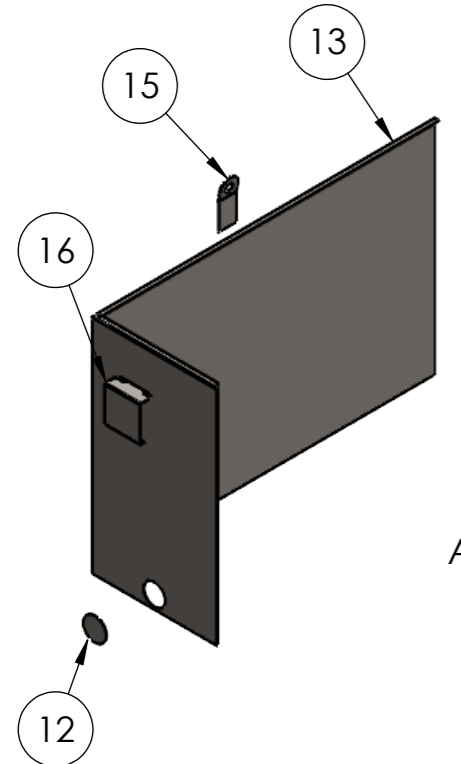


8 7 6 5 4 3 2 1

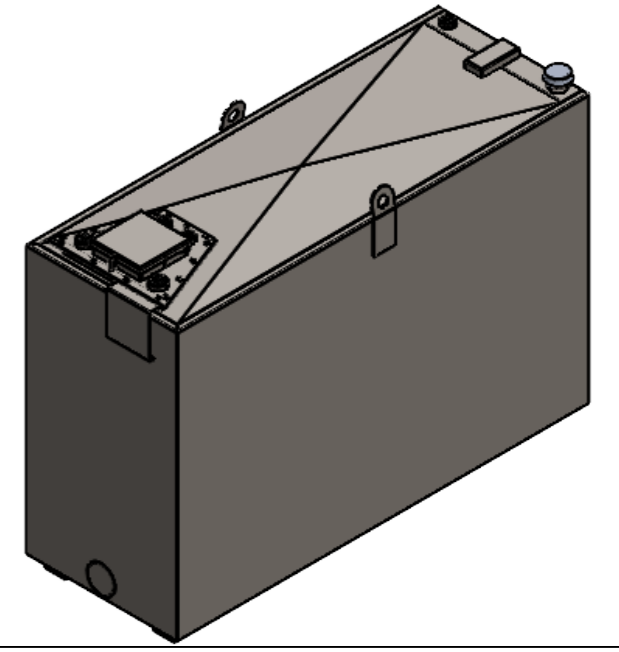
ITEM NO.	PART NUMBER	DESCRIPTION	QTY.
1	PRO.IMP.BSO-1443	1443 Imperium Outer Base	1
2	PRO.IMP.TCB-1443	1443 Imperium Channel Bearer	2
3	Imperium-1443	Imperium-1443 Inner Tank	1
4	ACC.PI.ST.HSO-1 1-2	Half Socket 1.5"	3
5	PRO.IMP.BVC	Imperium Bund Vent Cover	1
6	ACC.PI.ST.WNI-2	Weld Nipple - 2.0"	1
7	PRO.IMP.FPS-WOI	Imperium Waste Oil Top Fittings Plate (Small)	1
8	PRO.IMP.WTL	Imperium Waste Oil Top Lid	1
9	ACC.PI.ST.HSO-2	Half Socket 2"	1
10	ACC.PI.ST.SO-2	Socket 2"	1
11	Imperium-1443_WOI-01	Imperium-1443 WOI 2 Inch Suction Tube	1
12	PRO.IMP.BOB-O	Imperium Bottom Outlet Blank Plate	1
13	PRO.IMP.OFS-1443	1443 Imperium Outer Front & Side	1
14	PRO.IMP.OBS-1443	1443 Imperium Outer Back & Side	1
15	PRO.IMP.BLE-S	Imperium Bund Lifting Eye (Standard)	2
16	PRO.IMP.AMP	Imperium Alarm Mounting Plate	1



DETAIL A



RHS Break-Out View Showing Internal 2" Suction Pipe

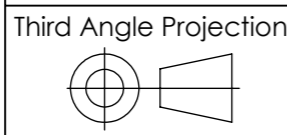


01	01/09/2025	Initial Drawing
Rev	Mod Date	Mod Description



Atlantis Tanks Group Ltd
Tel: +44 (0)330 999 1100
www.atlantistanks.co.uk

THIS DRAWING IS CONFIDENTIAL AND MAY NOT BE USED, COPIED OR DISCLOSED TO ANYONE WITHOUT THE PERMISSION OF ATLANTIS TANKS GROUP LTD 2025



Sheet: 1 OF 2
Tolerances: Upto ±20mm

Product Order Number & Product Code:
TAN.WOI-1350

Dry Weight: 290.93 kg

Title:
Imperium 1350 For WOI

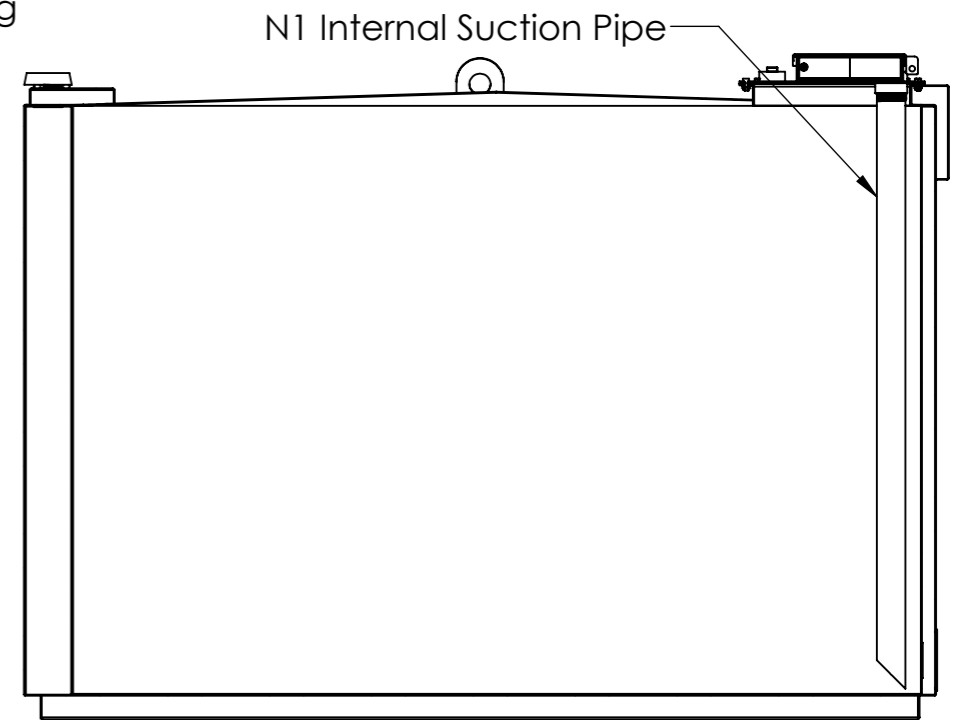
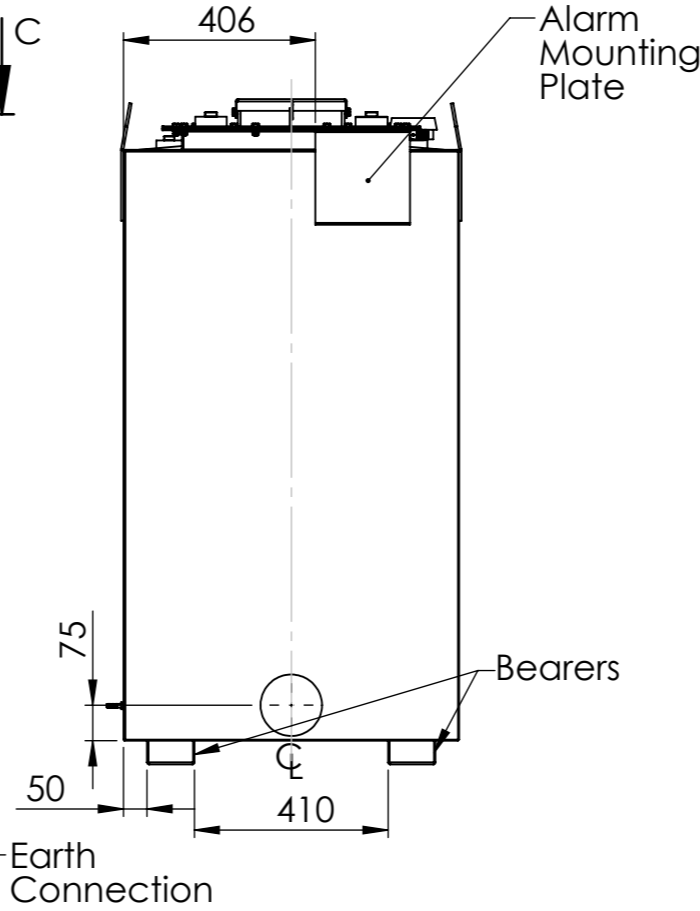
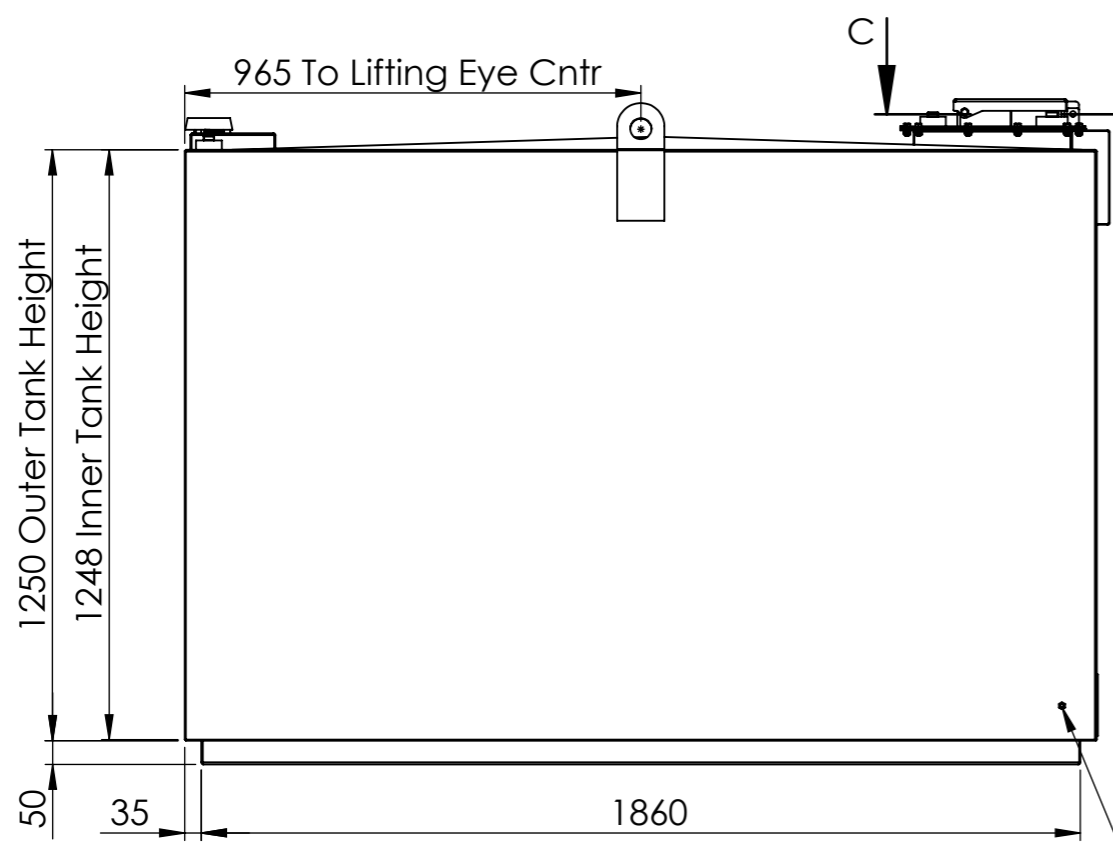
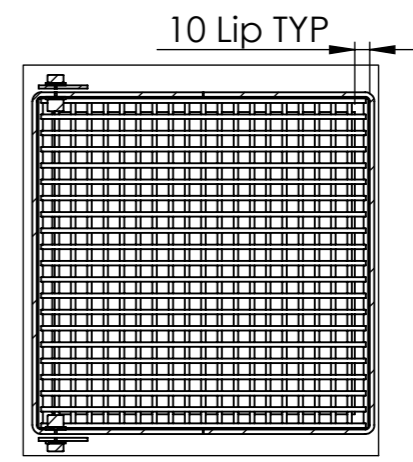
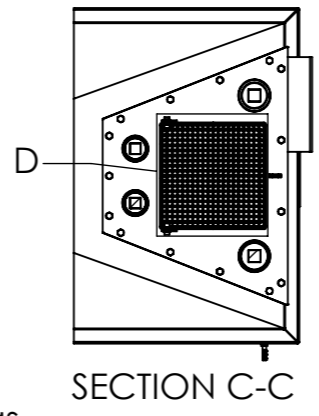
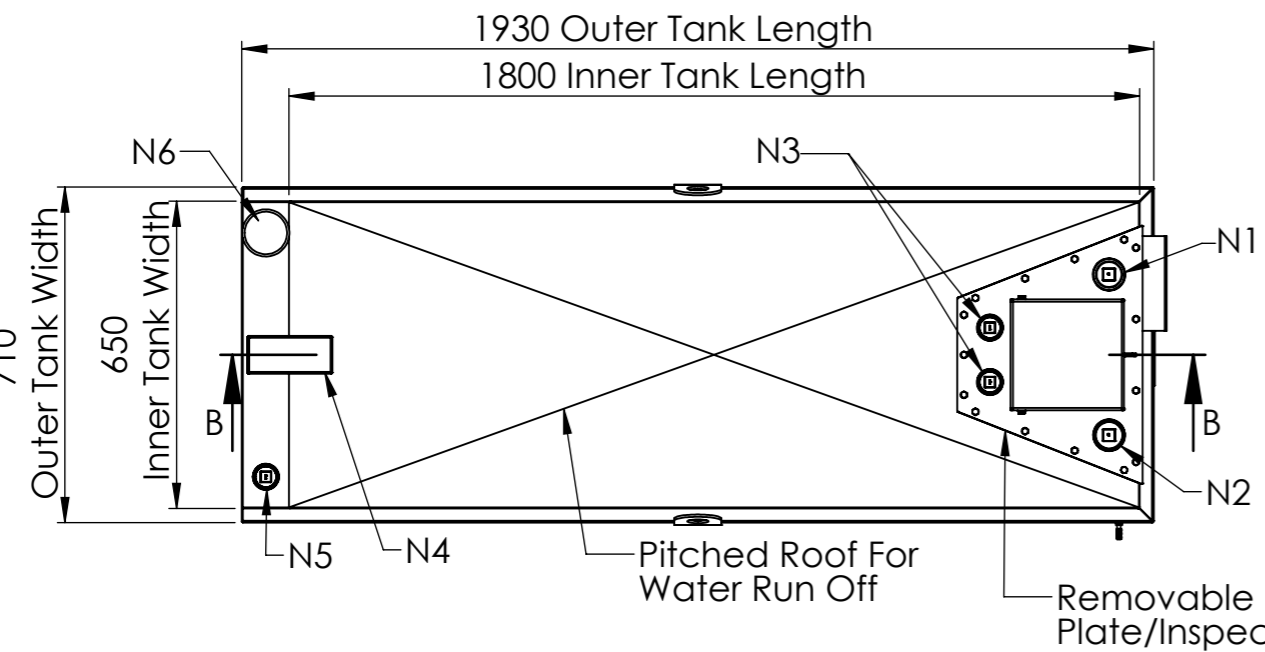
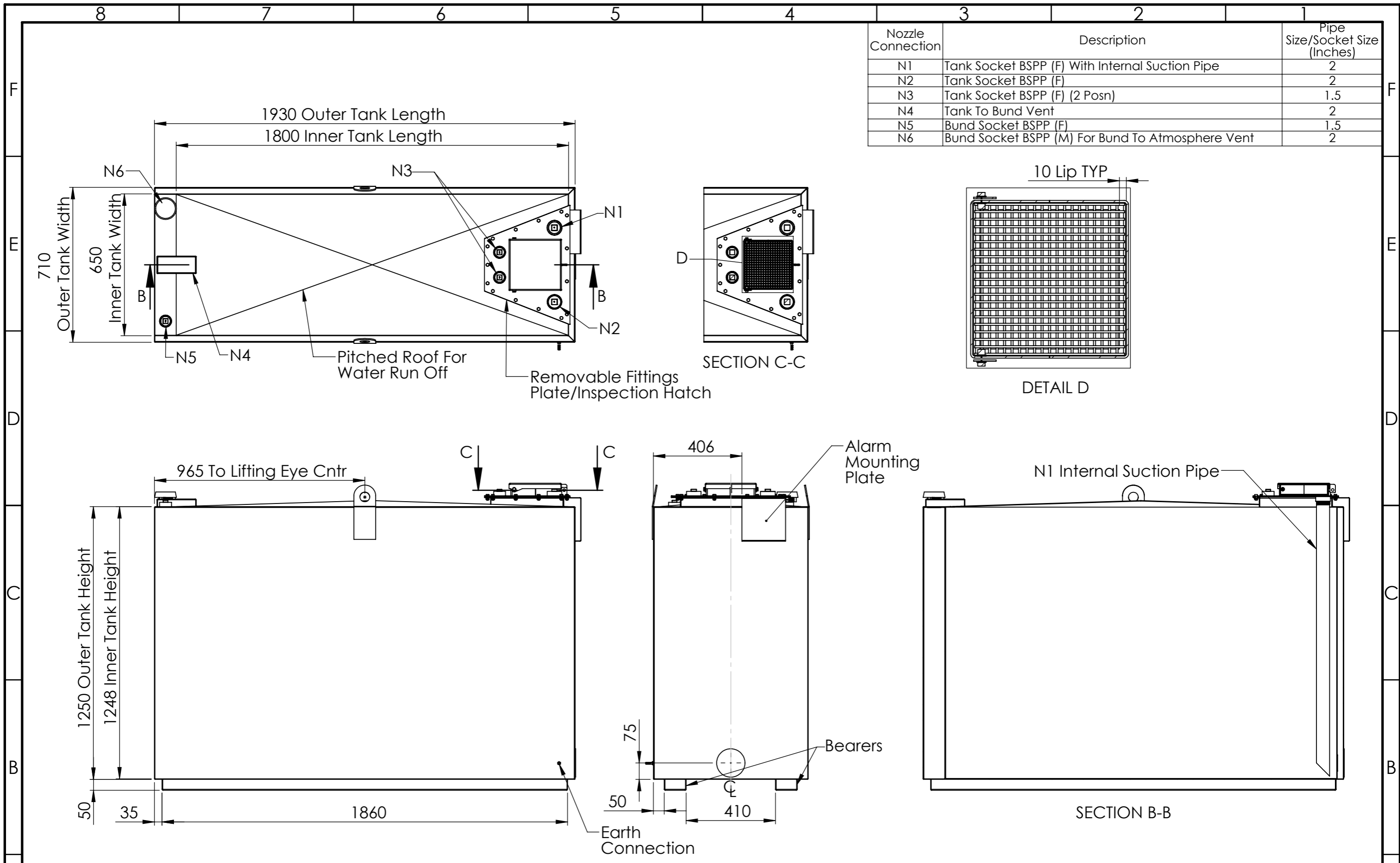
Product Range:
Imperium

Scale:DNS	Drawn By	Drawn Date	Checked By	Checked Date	Approved By	Approved Date
Units: mm	RMS	01/09/2025	KLM	05/09/2025	KLM	05/09/2025

A

A

8 7 6 5 4 3 2 1



Atlantis Tanks Group Ltd
Tel: +44 (0)330 999 1100
www.atlantistanks.co.uk

THIS DRAWING IS CONFIDENTIAL AND MAY NOT BE USED, COPIED OR DISCLOSED TO ANYONE WITHOUT THE PERMISSION OF ATLANTIS TANKS GROUP LTD 2025

Third Angle Projection

Rev:01
Sheet: 2 OF 2

Product Order Number & Product Code: TAN.WOI-1350

Dry Weight: 290.93 kg

Tolerances: Upto ±20mm

Title: Imperium 1350 For WOI

Scale: DNS

Units: mm

Product Range: Imperium					
Drawn By	Drawn Date	Checked By	Checked Date	Approved By	Approved Date
RMS	01/09/2025	KLM	05/09/2025	JRM	05/09/2025