

ITEM NO.	PART NUMBER	DESCRIPTION	QTY.
1	PRO.IMP.BSO-1853	1853 Imperium Outer Base	1
2	PRO.IMP.TCB-1853	1853 Imperium Channel Bearer	3
3	Imperium 1853	Imperium-1853 Inner Tank	1
4	ACC.PI.ST.HSO-1 1-2	Half Socket 1.5"	3
5	PRO.IMP.BVC	Imperium Bund Vent Cover	1
6	ACC.PI.ST.WNI-2	Weld Nipple - 2.0"	1
7	ACC.PI.ST.HSO-2	Half Socket 2"	3
8	ACC.FPN-2	Aluminium Fill Point Nipple - 2"	1
9	ACC.CAP.CA-2	Cap & Chain Aluminium - 2"	1
10	ACC.PI.ST.SO-1	Socket 1.0"	1
11	Imperium-1853-LUI_01	Imperium-1853 LUI 1 Inch Suction Pipe	1
12	PRO.IMP.BOB-O	Imperium Bottom Outlet Blank Plate - Outer	1
13	PRO.IMP.OFS-1853	1853 Imperium Outer Front & Side	1
14	PRO.IMP.OBS-1853	1853 Imperium Outer Back & Side	1
15	PRO.IMP.BLE-S	Imperium Bund Lifting Eye (Standard)	2
16	PRO.IMP.AMP	Imperium Alarm Mounting Plate	1

RHS Break-Out View Showing Internal 1" Suction Pipe

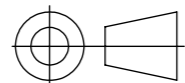
Rev	Mod Date	Mod Description
01	08/10/2025	Initial Drawing



Atlantis Tanks Group Ltd
Tel: +44 (0)330 999 1100
www.atlantistanks.co.uk

THIS DRAWING IS CONFIDENTIAL AND MAY NOT BE USED, COPIED OR DISCLOSED TO ANYONE WITHOUT THE PERMISSION OF ATLANTIS TANKS GROUP LTD 2025

Third Angle Projection



Sheet: 1 OF 2

Tolerances: Upto ±20mm

Product Order Number & Product Code:
TAN.LUI-1853

Dry Weight: 306.94 kg

Title:
1750 Litre Steel Bunded Imperium® Lube Oil Tank

Scale:DNS

Units: mm

Drawn By

RMS

Drawn Date

22/03/2024

Checked By

KLM

Product Range:
Imperium

Checked Date

10/10/2025

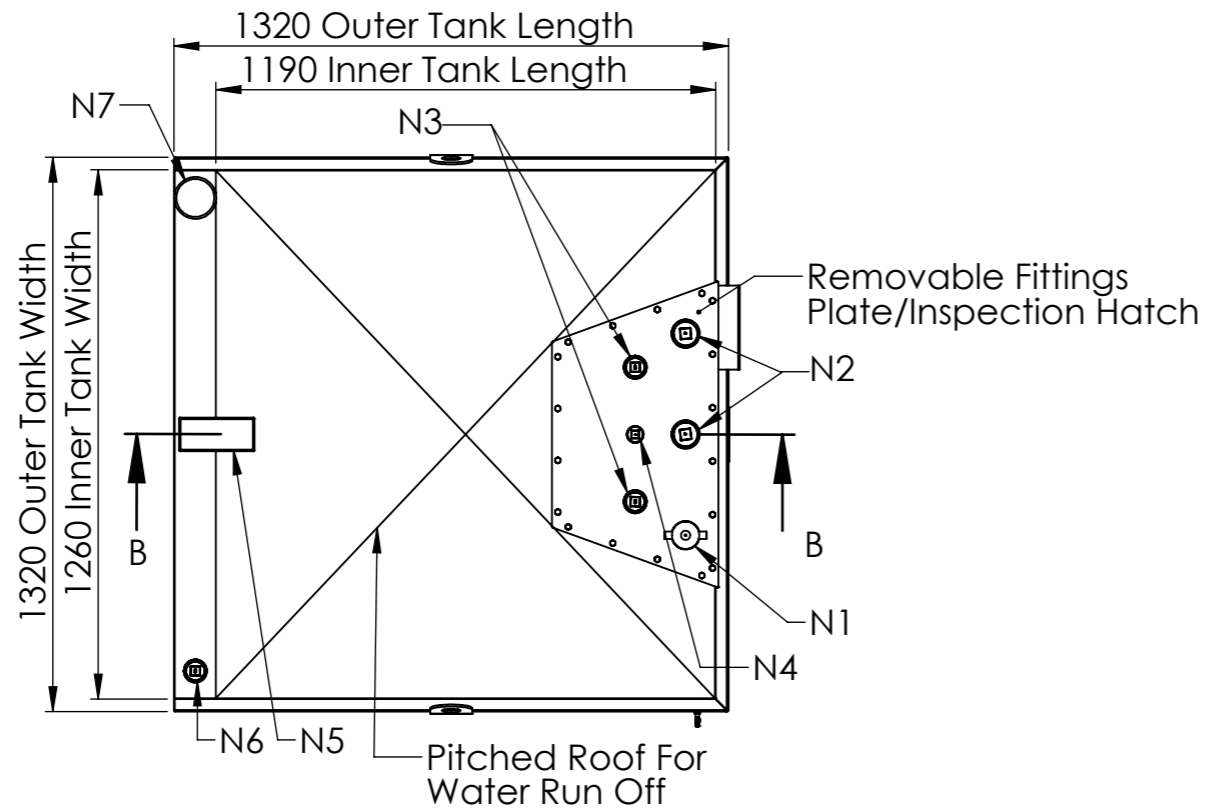
Approved By

JRM

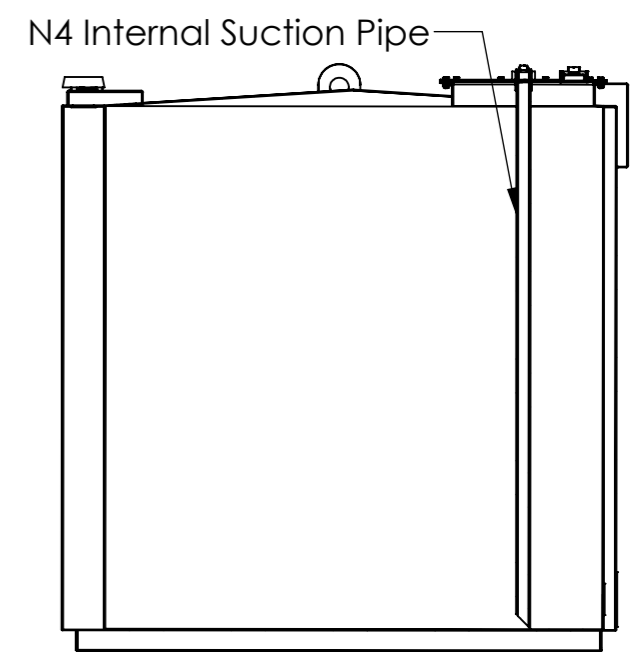
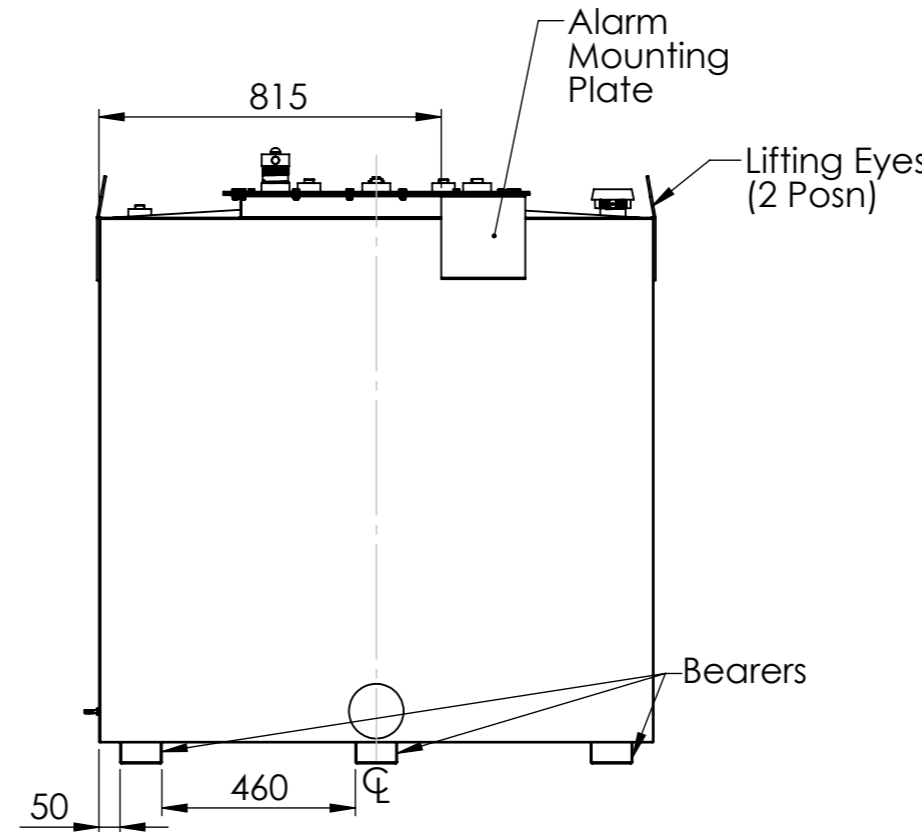
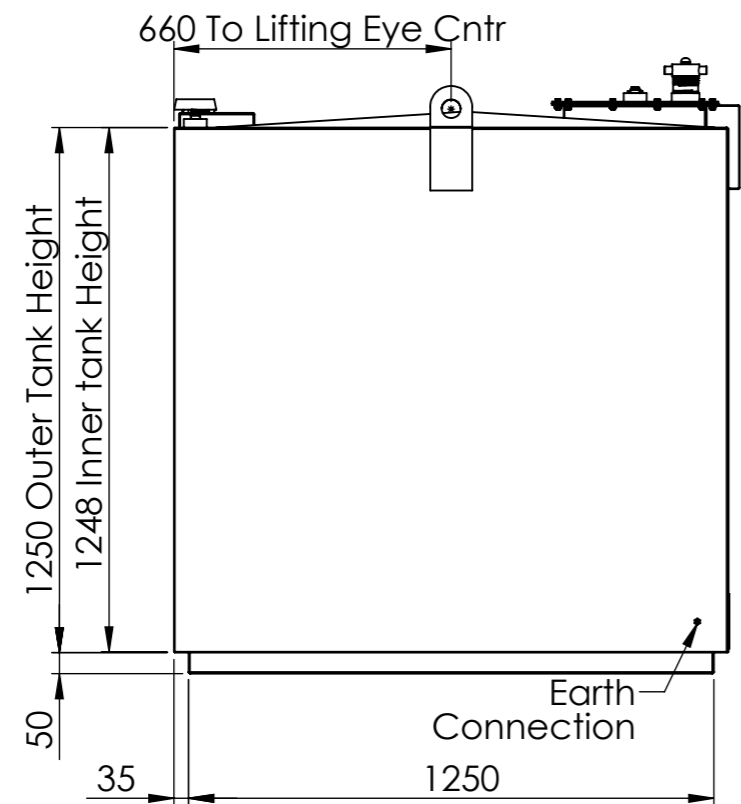
Approved Date

10/10/2025

Note: Hose Reel, Drip Tray And Pump Optional



Nozzle Connection	Description	Pipe Size/Socket Size (Inches)
N1	Tank Socket BSPP (F) For Fill Point C/W Drip Cap & Chain	2
N2	Tank Socket BSPP (F) (2 Posn)	2
N3	Tank Socket BSPP (F) (2 Posn)	1.5
N4	Tank Socket BSPP (F) For Suction Drain Port (Internal Suction Pipe)	1
N5	Tank To Bund Vent	2
N6	Bund Socket BSPP (F)	1.5
N7	Bund Socket BSPP (M) For Bund To Atmosphere Vent	2

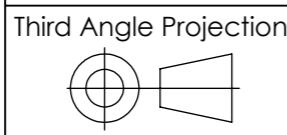


SECTION B-B



Atlantis Tanks Group Ltd
Tel: +44 (0)330 999 1100
www.atlantistanks.co.uk

THIS DRAWING IS CONFIDENTIAL AND MAY NOT BE USED, COPIED OR DISCLOSED TO ANYONE WITHOUT THE PERMISSION OF ATLANTIS TANKS GROUP LTD 2025



Rev:01
Sheet: 2 OF 2

Product Order Number & Product Code:
TAN.LUI-1853

Dry Weight: 306.94 kg
Tolerances: upto ±20mm

Title:
1750 Litre Steel Bunded Imperium® Lube Oil Tank

Scale:DNS
Units: mm

Product Range:
Imperium

Drawn By	Drawn Date	Checked By	Checked Date	Approved By	Approved Date
RMS	22/03/2024	KLM	10/10/2025	JRM	10/10/2025