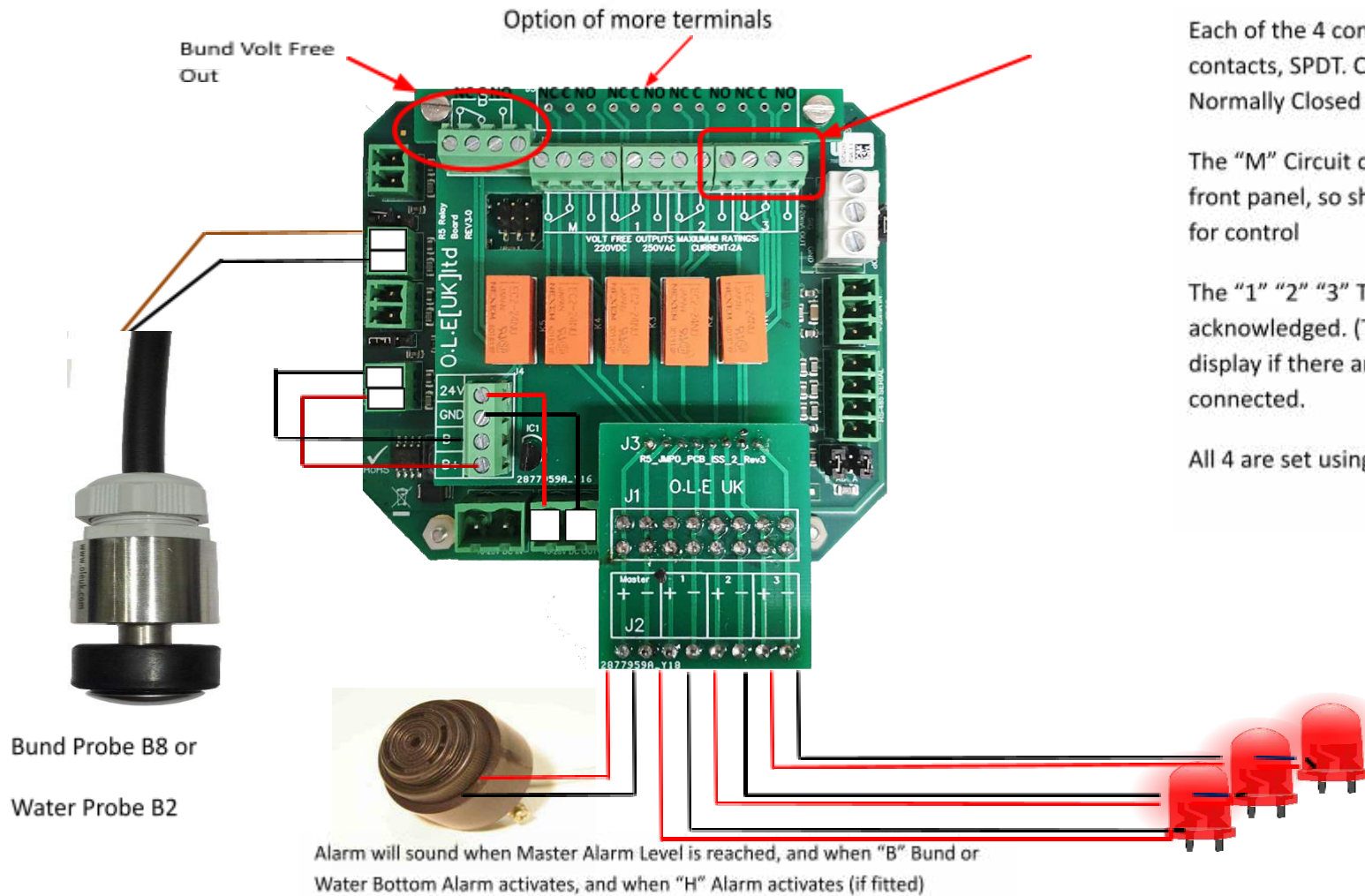


See Standard wiring diagram for sensor connections and power supplies



Each of the 4 control outputs have 2 sets of contacts, SPDT. Common, Normally Open and Normally Closed VOLT FREE (240vac 0.5A)

The "M" Circuit can be acknowledged from the front panel, so should be considered when used for control

The "1" "2" "3" Triggers cannot be acknowledged. (These only show on the front display if there are no mechanical alarms connected).

All 4 are set using the configuration software,

LED Lamps can be set to operate from any of these 4 switched outputs. The Output will match the input power supply, so 12vdc or 24vdc.

These can power remote relays or external sounders or lights.

Alarm will sound when Master Alarm Level is reached, and when "B" Bund or Water Bottom Alarm activates, and when "H" Alarm activates (if fitted)

	<p>Description</p> <p>R5 WIRING CONNECTIONS</p>	<p>DRG No R5-WIRING-DIAGRAM (BOARD REV 3.0) Dated 18/05/2020 Rev 1.2 KA</p>
--	---	---