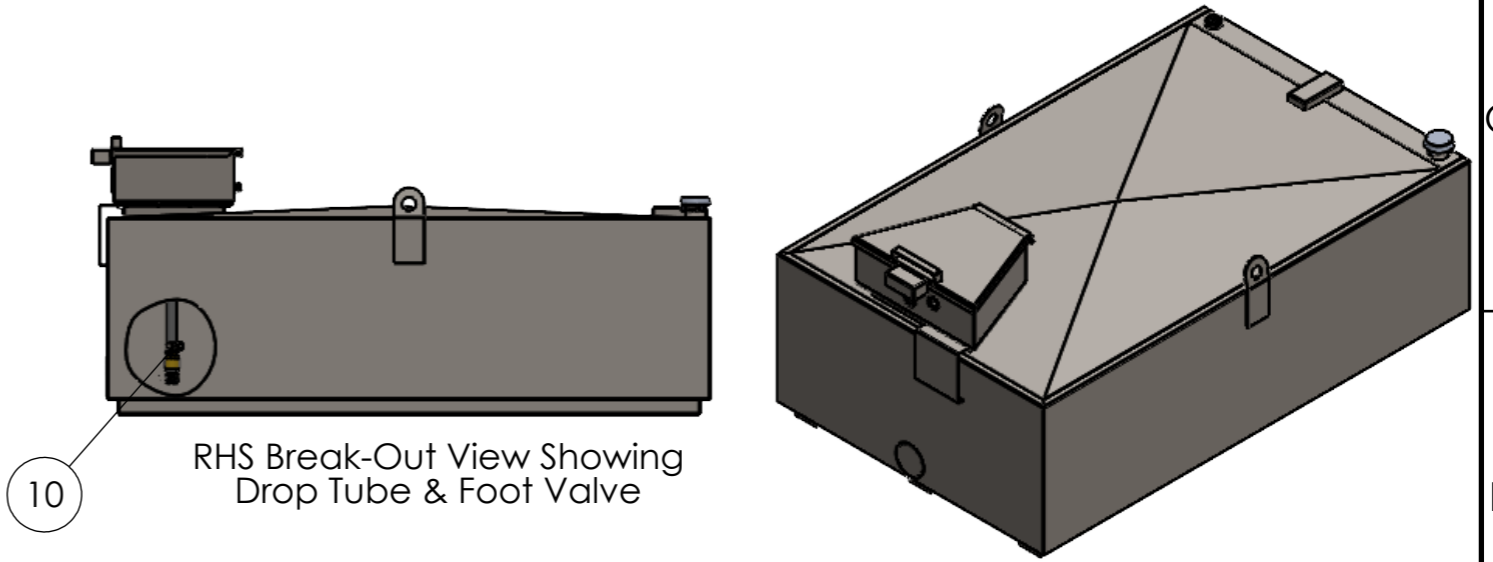


ITEM NO.	PART NUMBER	DESCRIPTION	QTY.
1	PRO.IMP.BSO-1315	1315 Imperium Outer Base	1
2	PRO.IMP.TCB-1315	1315 Imperium Channel Bearer	3
3	Imperium 1315	Imperium 1315 Inner Tank	1
4	ACC.PI.ST.HSO-1 1-2	Half Socket 1.5"	1
5	PRO.IMP.BVC	Imperium Bund Vent Cover	1
6	ACC.PI.ST.WNI-2	Weld Nipple - 2.0"	1
7	IMP.FPS-GFI	Imperium® Generator Feed Top Fittings Plate (Small) Assembly	1
8	ACC.FPN-2	Aluminium Fill Point Nipple - 2"	1
9	ACC.CAP.CA-2	Cap & Chain Aluminium - 2"	1
10	ACC.PI.DTA.1-0.6	Drop Tube Assembly (Removable) 1" c/w Foot Valve & Strainer - 0.6mt	1
11	PRO.IMP.BOB-O	Imperium Bottom Outlet Blank Plate - Outer	1
12	PRO.IMP.OFS-1315	1315 Imperium Outer Front & Side	1
13	PRO.IMP.OBS-1315	1315 Imperium Outer Back & Side	1
14	PRO.IMP.BLE-S	Imperium Lifting Eye (Standard)	2
15	EXT.IMP.LTB-S	For GFI Tank Customer Drawing	1
16	PRO.IMP.AMP	Imperium Alarm Mounting Plate	1



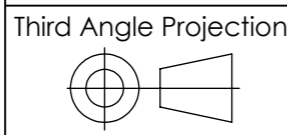
01	16/02/2026	Initial Drawing
Rev	Mod Date	Mod Description

Product Order Number & Product Code:	Title:	Product Range:
TAN.GFI-1315	1200 Litre Steel Bunded Imperium® Generator Feed Oil Tank (Patent Pending)	Imperium
Third Angle Projection	Sheet: 1 OF 2	Dry Weight: 273.62 kg
Tolerances: Upto ±20mm	Scale:DNS	Units: mm
	Drawn By: RMS	Drawn Date: 15/03/2024
	Checked By: KLM	Checked Date: 16/02/2026
	Approved By: JRM	Approved Date: 16/02/2026



Atlantis Tanks Group Ltd
Tel: +44 (0)330 999 1100
www.atlantistanks.co.uk

THIS DRAWING IS CONFIDENTIAL AND MAY NOT BE USED, COPIED OR DISCLOSED TO ANYONE WITHOUT THE PERMISSION OF ATLANTIS TANKS GROUP LTD 2026



Product Order Number & Product Code:
TAN.GFI-1315

Dry Weight: 273.62 kg

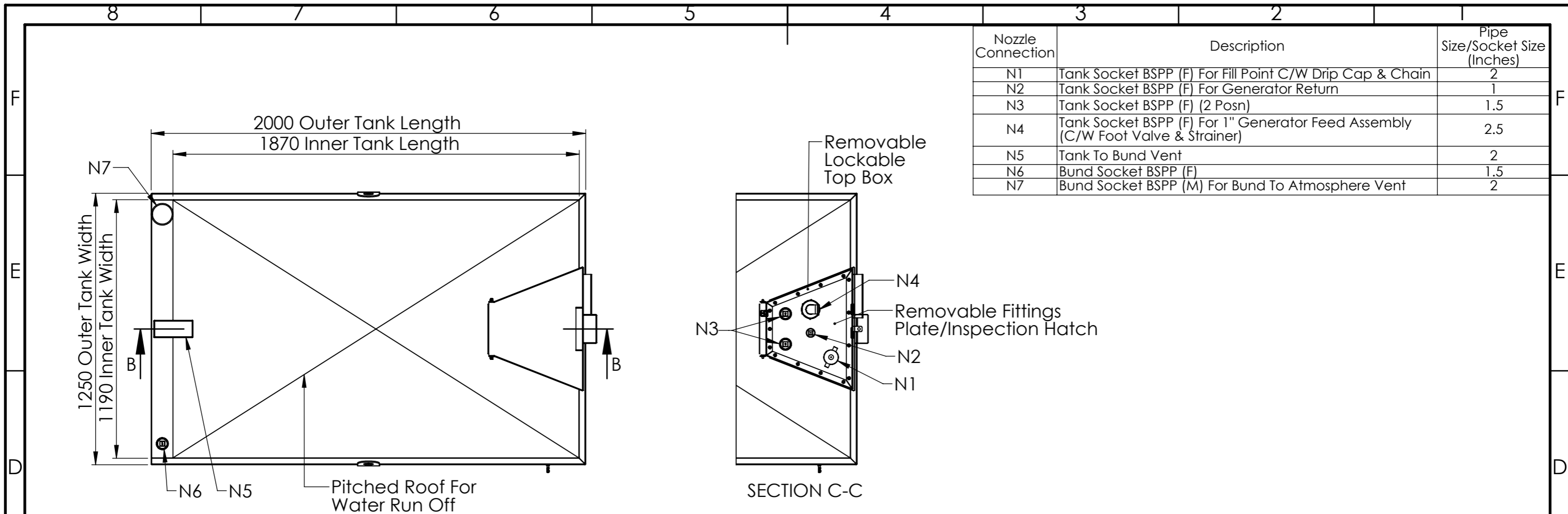
Title:
1200 Litre Steel Bunded Imperium® Generator Feed Oil Tank (Patent Pending)

Product Range:
Imperium

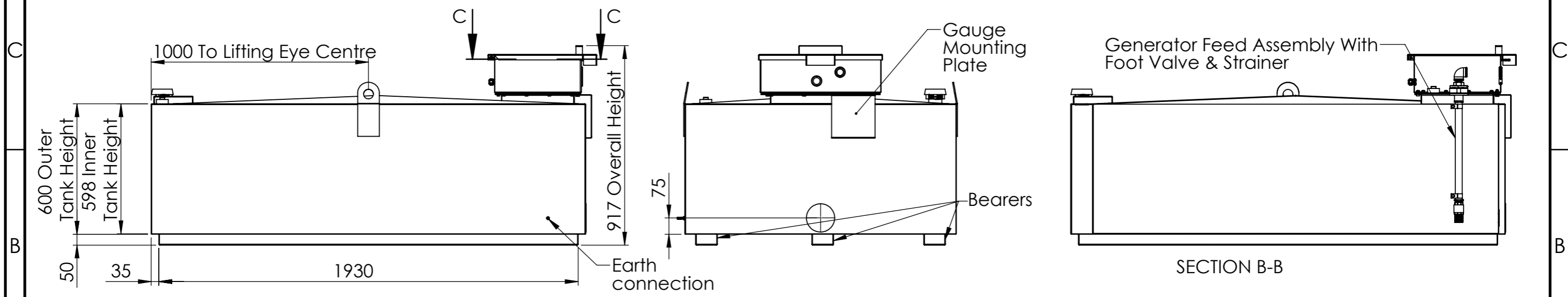
Sheet: 1 OF 2

Tolerances: Upto ±20mm

Scale:DNS	Drawn By	Drawn Date	Checked By	Checked Date	Approved By	Approved Date
Units: mm	RMS	15/03/2024	KLM	16/02/2026	JRM	16/02/2026



Nozzle Connection	Description	Pipe Size/Socket Size (Inches)
N1	Tank Socket BSPP (F) For Fill Point C/W Drip Cap & Chain	2
N2	Tank Socket BSPP (F) For Generator Return	1
N3	Tank Socket BSPP (F) (2 Posn)	1.5
N4	Tank Socket BSPP (F) For 1" Generator Feed Assembly (C/W Foot Valve & Strainer)	2.5
N5	Tank To Bund Vent	2
N6	Bund Socket BSPP (F)	1.5
N7	Bund Socket BSPP (M) For Bund To Atmosphere Vent	2



<p>Atlantis Tanks Group Ltd Tel: +44 (0)330 999 1100 www.atlantistanks.co.uk</p>	THIS DRAWING IS CONFIDENTIAL AND MAY NOT BE USED, COPIED OR DISCLOSED TO ANYONE WITHOUT THE PERMISSION OF ATLANTIS TANKS GROUP LTD 2026		Product Order Number & Product Code: TAN.GFI-1315		Title: 1200 Litre Steel Bunded Imperium® Generator Feed Oil Tank (Patent Pending)			Product Range: Imperium			
	Third Angle Projection 	Revision: 01	Dry Weight: 273.62 kg		Scale: DNS	Drawn By RMS	Drawn Date 15/03/2024	Checked By KLM	Checked Date 16/02/2026	Approved By JRM	Approved Date 16/02/2026
	Sheet: 2 OF 2		Tolerances: Upto ±20mm		Units: mm						