

8 7 6 5 4 3 2 1

F

E

D

C

B

A

F

E

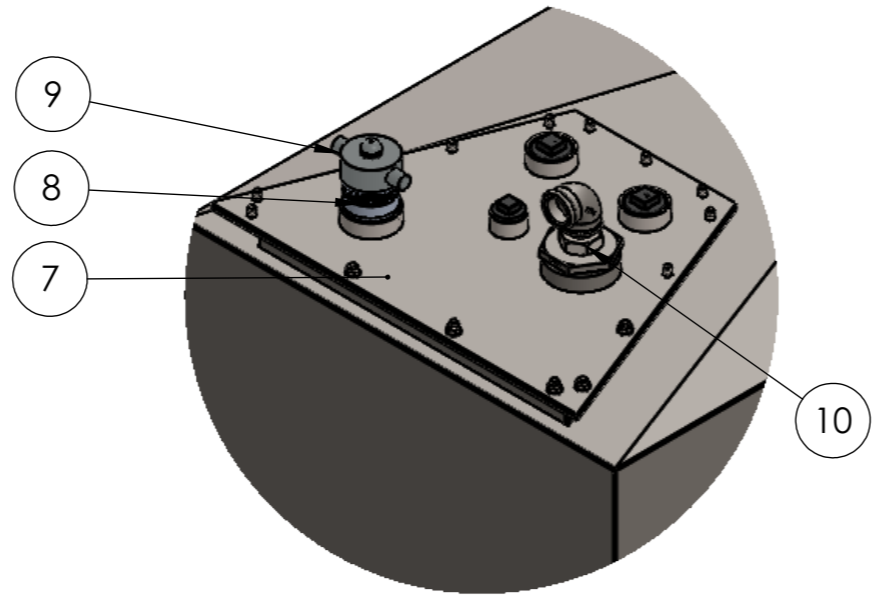
D

C

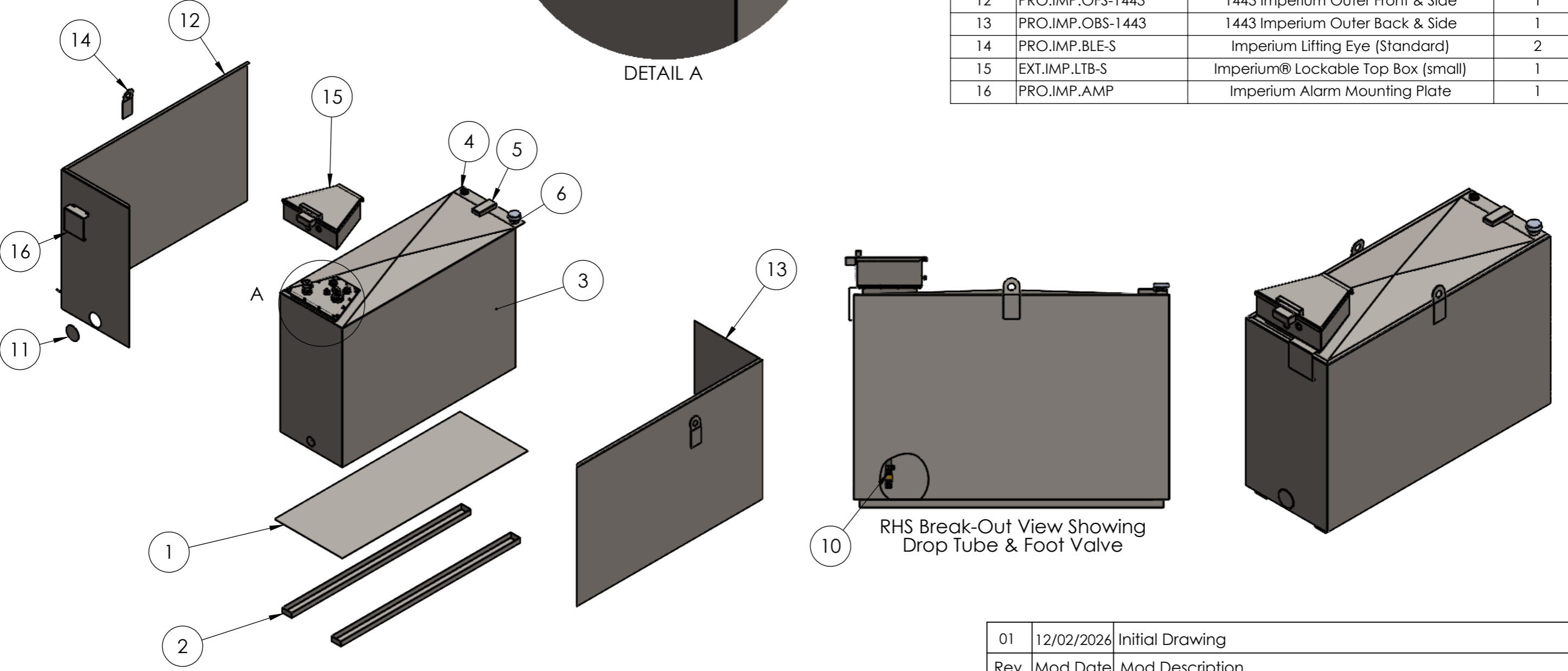
B

A

ITEM NO.	PART NUMBER	DESCRIPTION	QTY.
1	PRO.IMP.BSO-1443	1443 Imperium Outer Base	1
2	PRO.IMP.TCB-1443	1443 Imperium Channel Bearer	2
3	Imperium-1443	Imperium 1443 Inner Tank	1
4	ACC.PI.ST.HSO-1 1-2	Half Socket 1.5"	1
5	PRO.IMP.BVC	Imperium Bund Vent Cover	1
6	ACC.PI.ST.WNI-2	Weld Nipple - 2.0"	1
7	IMP.FPS-GFI	Imperium® Generator Feed Top Fittings Plate (Small) Assembly	1
8	ACC.FPN-2	Aluminium Fill Point Nipple - 2"	1
9	ACC.CAP.CA-2	Cap & Chain Aluminium - 2"	1
10	ACC-PI.DTA.1-1.25	Drop Tube Assembly (Removable) 1" c/w Foot Valve & Strainer - 1.25mt	1
11	PRO.IMP.BOB-O	Imperium Bottom Outlet Blank Plate - Outer	1
12	PRO.IMP.OFS-1443	1443 Imperium Outer Front & Side	1
13	PRO.IMP.OBS-1443	1443 Imperium Outer Back & Side	1
14	PRO.IMP.BLE-S	Imperium Lifting Eye (Standard)	2
15	EXT.IMP.LTB-S	Imperium® Lockable Top Box (small)	1
16	PRO.IMP.AMP	Imperium Alarm Mounting Plate	1



DETAIL A



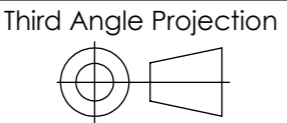
RHS Break-Out View Showing Drop Tube & Foot Valve

Rev	Mod Date	Mod Description
01	12/02/2026	Initial Drawing



Atlantis Tanks Group Ltd
Tel: +44 (0)330 999 1100
www.atlantistanks.co.uk

THIS DRAWING IS CONFIDENTIAL AND MAY NOT BE USED, COPIED OR DISCLOSED TO ANYONE WITHOUT THE PERMISSION OF ATLANTIS TANKS GROUP LTD 2026



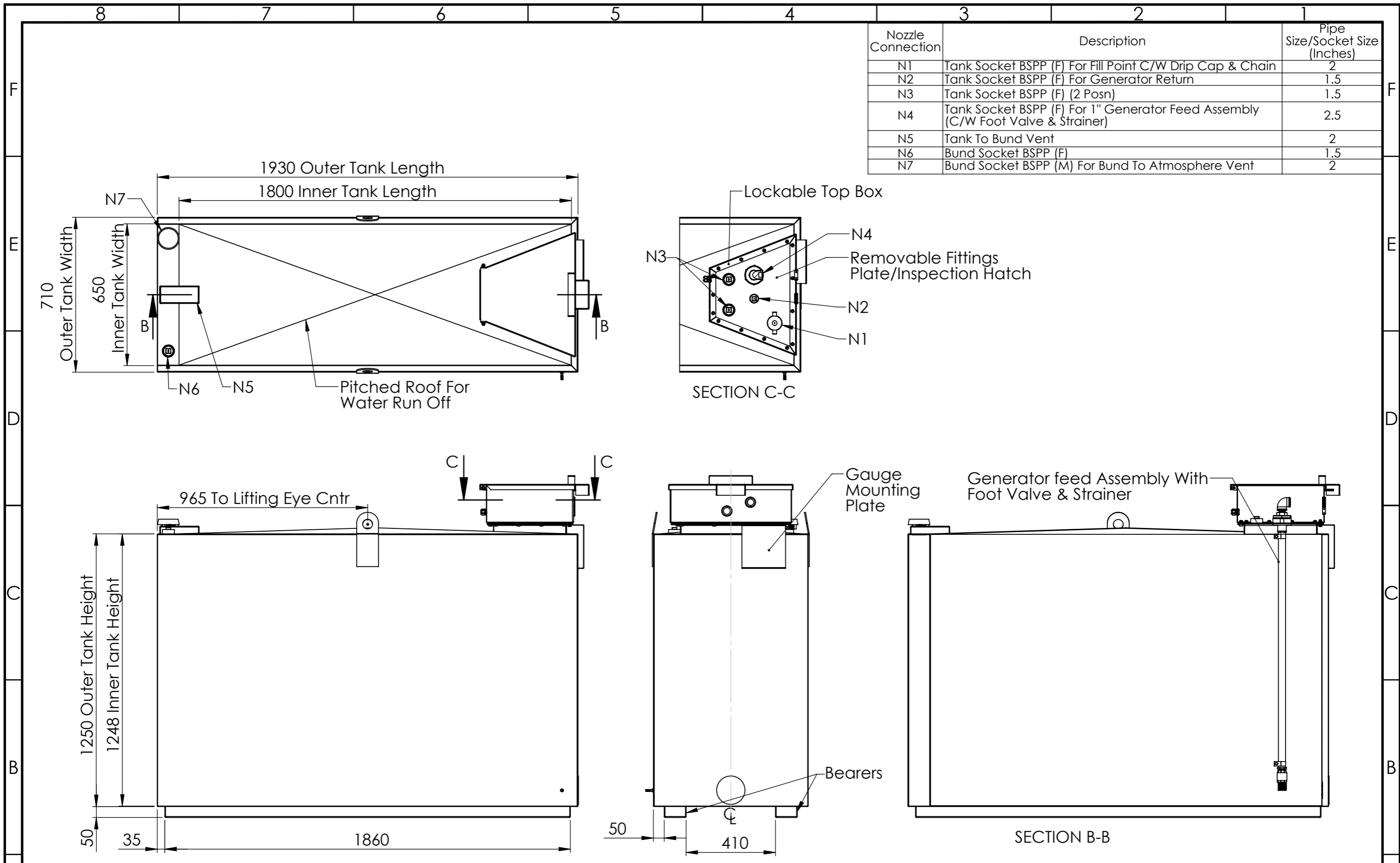
Sheet: 1 OF 2
Tolerances: Upto ±20mm

Product Order Number & Product Code:
TAN.GFI-1443
Dry Weight: 295.45 kg

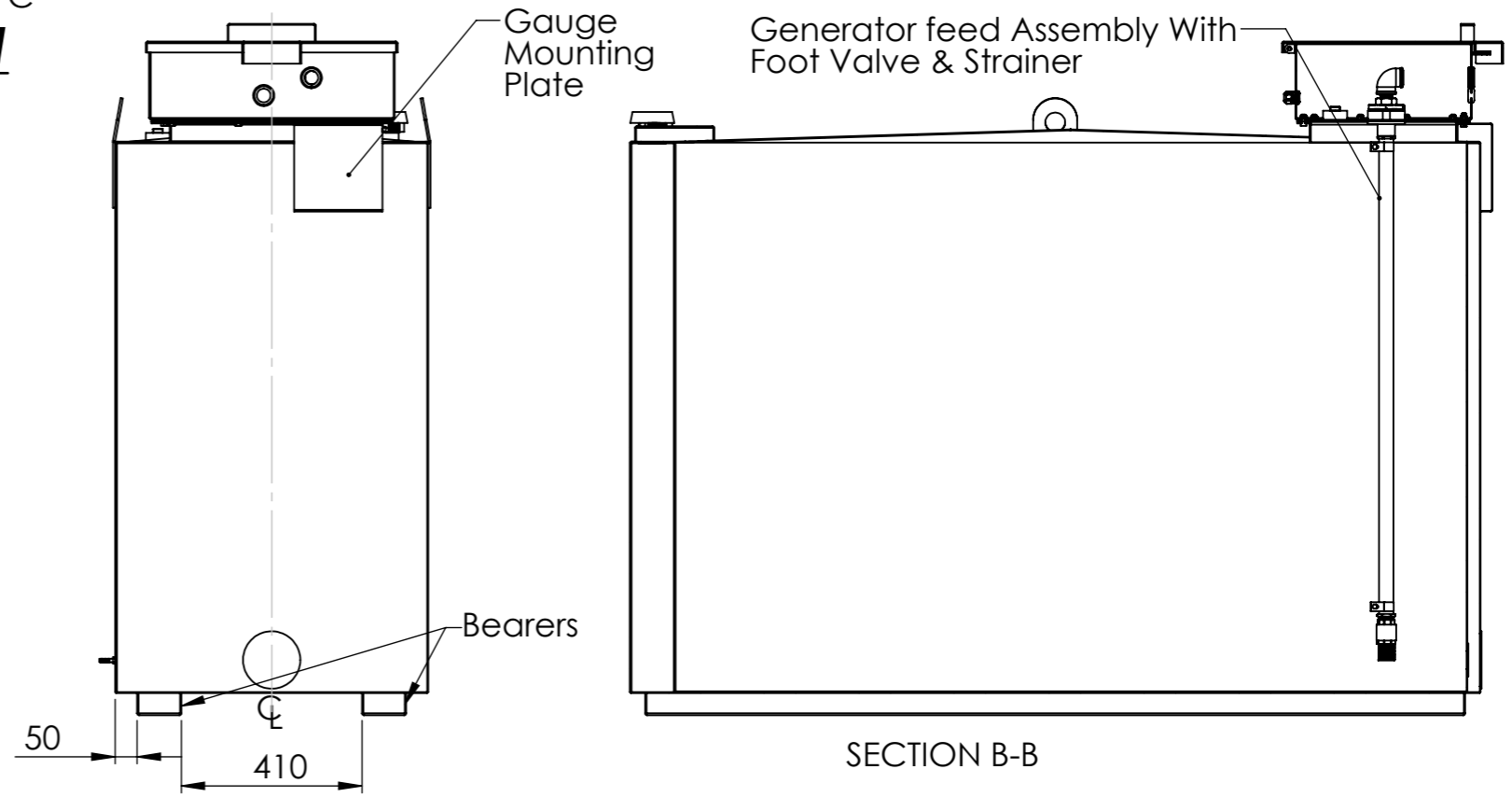
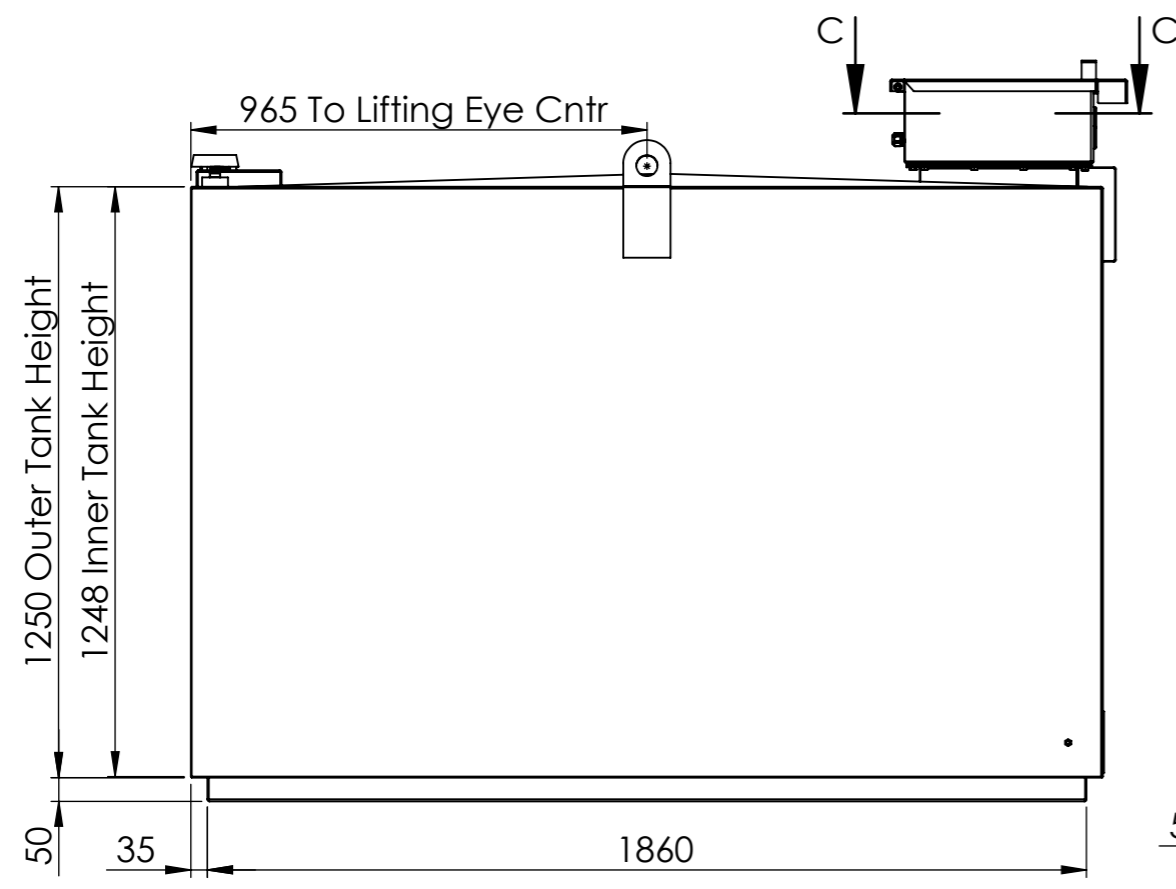
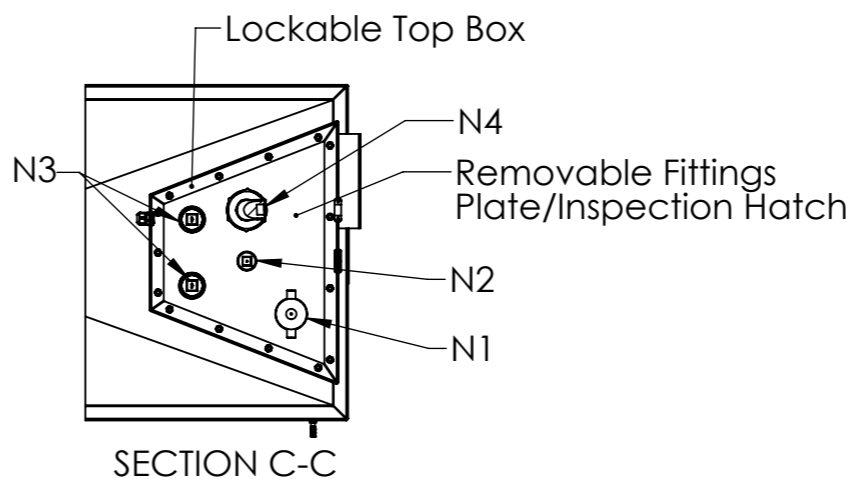
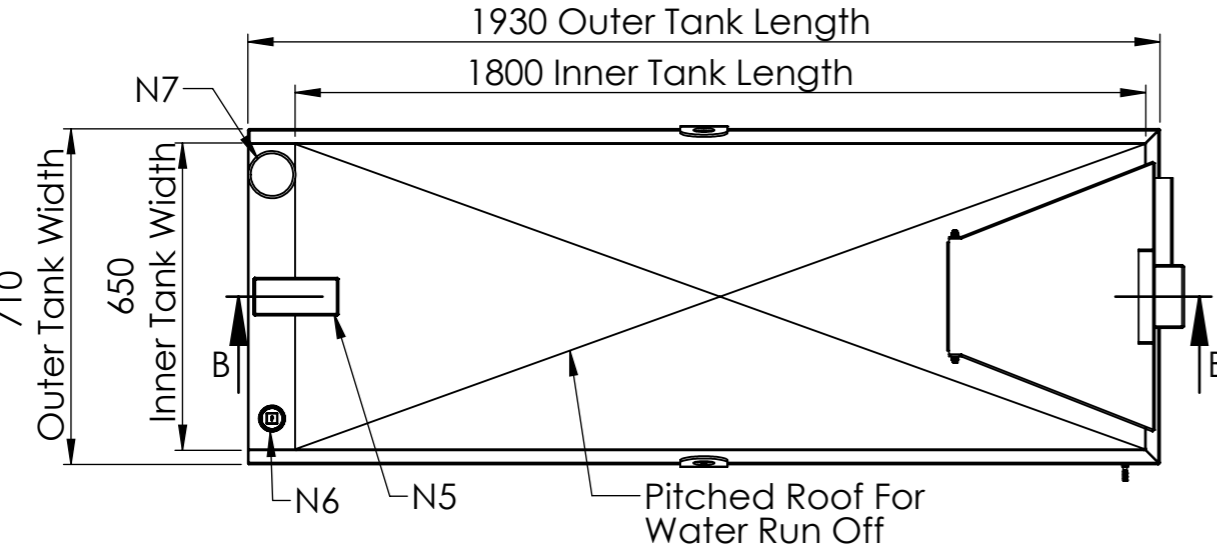
Title:
1300 Litre Steel Bunded Imperium® Generator Feed Oil Tank (Patent Pending)
Scale: DNS
Units: mm

Product Range:
Imperium
Drawn By: RMS
Drawn Date: 13/03/2024
Checked By: KLM
Checked Date: 12/02/2026
Approved By: JRM
Approved Date: 12/02/2026

8 7 6 5 4 3 2 1



Nozzle Connection	Description	Pipe Size/Socket Size (Inches)
N1	Tank Socket BSPP (F) For Fill Point C/W Drip Cap & Chain	2
N2	Tank Socket BSPP (F) For Generator Return	1.5
N3	Tank Socket BSPP (F) (2 Posn)	1.5
N4	Tank Socket BSPP (F) For 1" Generator Feed Assembly (C/W Foot Valve & Strainer)	2.5
N5	Tank To Bund Vent	2
N6	Bund Socket BSPP (F)	1.5
N7	Bund Socket BSPP (M) For Bund To Atmosphere Vent	2



<p>Atlantis Tanks Group Ltd Tel: +44 (0)330 999 1100 www.atlantistanks.co.uk</p>	THIS DRAWING IS CONFIDENTIAL AND MAY NOT BE USED, COPIED OR DISCLOSED TO ANYONE WITHOUT THE PERMISSION OF ATLANTIS TANKS GROUP LTD 2026		Product Order Number & Product Code: TAN.GFI-1443 Customer Drawing		Title: 1300 Litre Steel Bunded Imperium® Generator Feed Oil Tank (Patent Pending)			Product Range: Imperium					
	Third Angle Projection		Rev:01		Dry Weight: 295.45 kg		Scale:DNS	Drawn By	Drawn Date	Checked By	Checked Date	Approved By	Approved Date
	Sheet: 2 OF 2		Tolerances: Upto ±20mm		Units: mm	RMS	13/03/2024	KLM	12/02/2026	JRM	12/02/2026		